

PTC Creo View ECAD

Providing Easy and Accurate Enterprise Access to Complex Electronic Design Data

Companies today are facing increasing pressures associated with time-to-market, product quality and management of development costs. Because of this, more than 50% of today's electronic designs must be changed after prototype testing due to problems that were not identified, communicated, and resolved during the design process, leading to costly design re-spins. One way to help minimize this, is to enable both design authors and extended team members to identify and collaborate on issues early and often throughout the design process.

PTC Creo View ECAD provides the ability to easily visualize issues between multiple design domains and project team members without the need for the native ECAD products. This easy-to-use, yet high-performance solution enables visualization, analysis and design verification of the schematic, PCB, MCAD Assembly and their associated electronic manufacturing data in a single environment. Due to its broad capabilities, PTC Creo View ECAD can provide a unified way for extended design teams to work closely together throughout the design process and achieve the goal of reducing or eliminating potential rework.

Key Benefits

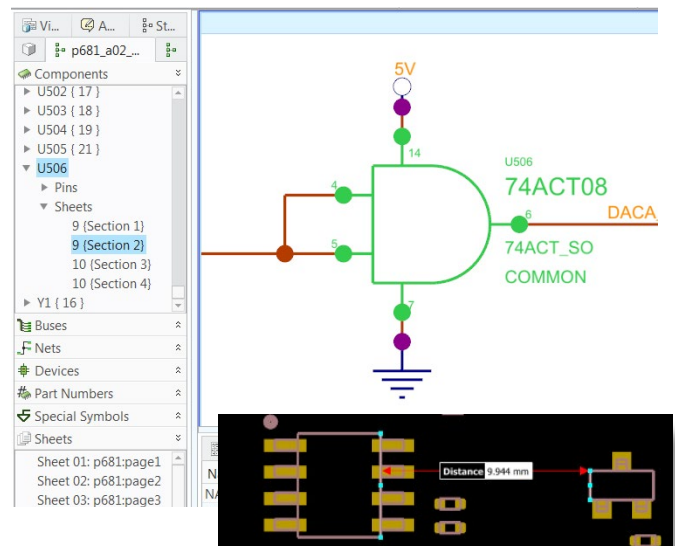
Reduce development time and cost

- Reduce overall design cycle time through constant and consistent communication
- Project team collaboration reduces design review time from days to hours
- Save time and money by reducing/eliminating design spins per board
- Realize significant productivity gains in board testing through visual confirmation of test points and associated signal map
- Simple UI provides a consistent look-and-feel across all EDA tools without the need to learn specific ECAD products
- No need for native tools to be installed - reduces ECAD license requirements
- Improve design team coordination through a common, easy-to-use GUI and electronic communication
- Improve ease of collaboration among dispersed project team members including engineering, test, manufacturing and downstream suppliers

Improve product quality

- Ensure design integrity by improving your chances of getting it right-the-first-time
- Discover, test and repair errors early, before they go out the door

- Allow the entire extended team to dynamically interact with electronic design data early and often throughout the design and manufacturing stages
- Trace receivers by pin function back to drivers to identify the source of a bad signal
- Search, highlight, and measure functions to verify detailed placement, net and component data



- Examine board layout from a true top or bottom orientation with any rotation
- Interactively query multiple objects within ECAD design data to verify design intent

- Intelligently navigate schematic design data, making test and debug a paperless process
- Find and quickly display design components and nets in the same context as the board being reviewed and tested

Features

Analyze EDA information

- Structural navigation of the entire design
- Instant visibility toggling of review items
- Quickly trace signal information and see report data on the fly
- Isolate specific nets and objects
- Cross-probe from schematic to layout to MCAD Assembly without the need for paper plots
- Output BOM, test point and routing topology data to Excel® spreadsheets

Integrate ECAD & MCAD visual collaboration

- Fully heterogeneous visual collaboration environment for both ECAD & MCAD
- Enables unique functions, such as cross-probing between ECAD/MCAD abstractions
- Create AR representations of the design in the context of the final assembly

Expedite design reviews through enterprise-wide collaboration

- Interactively browse and collaborate on schematic PCB and MCAD databases without requiring the native EDA tool
- Communicate change proposals and markup's back to the EDA user electronically
- Cross-select between the schematic, layout, MCAD Assembly and bill-of- material (BOM)

- Enable visualization of ECAD digital data within PTC Windchill® PDMLink® and PTC Windchill ProjectLink™
- Use in conjunction with native design tools by utilizing cross-highlighting features

EDA partnerships

- PTC works closely with the leading EDA vendors and standards committees to gain a detailed, up-to-date understanding of their data formats. These partnerships enable PTC Creo View ECAD to provide an accurate view of EDA data models.



Platform specifications

- Operating systems: Microsoft® Windows®, Linux
- Languages: English, French, German, Italian, Spanish, Japanese, Chinese (Simplified), Chinese (Traditional), Korean

For the most up-to-date platform support information, visit: PTC.com/partners/hardware/current/support.htm

© 2019, Parametric Technology Corporation (PTC). All rights reserved. Information described herein is furnished for informational use only, is subject to change without notice, and should not be construed as a guarantee, commitment, condition or offer by PTC. PTC, the PTC logo, Creo, Windchill, Windchill PDMLink, Windchill ProjectLink, and all PTC product names and logos are trademarks or registered trademarks of PTC and/or its subsidiaries in the United States and in other countries. All other product or company names are property of their respective owners. The timing of any product release, including any features or functionality, is subject to change at PTC's discretion.

J0607-Creo View ECAD Update-DS-EN-0712

